

Sterling® Side-burner

OWNER'S MANUAL

Thermal Engineering Corporation

P.O. Box 868, Columbia, South Carolina 29202-0868
2741 The Boulevard, Columbia, South Carolina 29209
Telephone: (803) 783-0750 Toll-free (800) 331-0097
Fax : (803) 783-0756 Toll-free fax: (888) 581-0286

Website: www.tecinfrared.com

Warnings

FOR YOUR SAFETY

If you smell gas:

1. Shut off gas to the appliance.
2. Extinguish any open flame.
3. Open lid.
4. If odor continues, immediately call your gas supplier or your fire department.

FOR YOUR SAFETY

1. Do not store or use gasoline or other flammable vapors or liquids in the vicinity of this or any other appliance.
2. An LP cylinder not connected for use shall not be stored in the vicinity of this or any other appliance.

Warnings to Consumer

DO NOT INSTALL OR OPERATE THIS APPLIANCE WITHOUT HAVING CAREFULLY READ THIS MANUAL. FOR FUTURE REFERENCE, HAVE THIS MANUAL AVAILABLE WHILE USING THIS APPLIANCE AND ALWAYS FOLLOW THE INSTRUCTIONS PROVIDED.

NEVER ATTEMPT TO MAKE CONVERSIONS OR MODIFICATIONS TO YOUR GRILL WITHOUT FIRST OBTAINING WRITTEN INSTRUCTIONS FROM THERMAL ENGINEERING CORPORATION.

DO NOT STORE A SPARE GAS CYLINDER UNDER OR WITHIN 15 FEET OF THIS GRILL OR ANY OTHER OPEN FLAME, HEAT PRODUCING APPLIANCE OR HEAT SOURCE.

DO NOT ALLOW YOUR LP GAS CYLINDER TO BE FILLED BEYOND 3/4 FULL.

WARNING: FAILURE TO FOLLOW THESE INSTRUCTIONS CAN RESULT IN A FIRE CAUSING DEATH OR SERIOUS INJURY OR PROPERTY DAMAGE.

Notices

Notice to Customer

PRIOR TO INSTALLING AND USING THIS APPLIANCE, READ THIS MANUAL FULLY AND CAREFULLY. RETAIN THIS MANUAL FOR FUTURE REFERENCE AND HAVE AVAILABLE AT ALL TIMES. ENSURE THAT ALL PERSONS OPERATING THIS EQUIPMENT CAREFULLY READ AND BECOME FAMILIAR WITH THE INFORMATION IN THIS MANUAL.

THIS UNIT HAS BEEN CAREFULLY INSPECTED AND PACKAGED AT THE FACTORY PRIOR TO SHIPMENT. UPON ARRIVAL, INSPECT THE APPLIANCE CAREFULLY FOR ANY CONCEALED DAMAGE. IMMEDIATELY REPORT ANY DAMAGE TO YOUR AUTHORIZED DEALER.

SHOULD YOU HAVE ANY QUESTIONS REGARDING OPERATION OR USE OF THIS APPLIANCE, CONTACT THERMAL ENGINEERING CORPORATION AT 1-803-783-0750 OR 1-800-331-0097.

Notice to Installer

INSTALLATION MUST CONFORM TO LOCAL CODES OR THE NATIONAL FUEL GAS CODE ANSI Z223.1/NFPA 54. IN CANADA, INSTALLATION OF THIS PRODUCT SHOULD BE IN ACCORDANCE WITH THE CAN/CGA-B149.1 NATURAL GAS AND PROPANE INSTALLATION CODE. FOLLOWING INSTALLATION, LEAVE THIS OWNER'S MANUAL WITH THE CONSUMER FOR FUTURE REFERENCE. **THIS APPLIANCE IS NOT INTENDED FOR USE ON RECREATIONAL VEHICLES OR BOATS.**

THIS APPLIANCE IS DESIGN-CERTIFIED BY CSA INTERNATIONAL, AN INTERNATIONALLY RECOGNIZED TESTING LABORATORY, ONLY WHEN INSTALLED IN A FIXED FUEL LOCATION STRUCTURE WHEN SPECIFIED CLEARANCES ARE MAINTAINED. THIS APPLIANCE IS DESIGN-CERTIFIED FOR PORTABLE USE ONLY WHEN IT IS ATTACHED TO SSG-40LSB, SSG-40NSB, SSG-60LSB, OR SSG-60NSB MODEL STERLING® GAS GRILLS IN ACCORDANCE WITH ATTACHMENT INSTRUCTIONS IN THIS MANUAL. FOLLOWING INSTALLATION, LEAVE THIS OWNER'S MANUAL WITH THE CONSUMER FOR FUTURE REFERENCE.



NATIONALLY REGISTERED TESTING LABORATORY

*Patents Pending

© Thermal Engineering Corporation
Revision (08/04)

Lifetime Limited Warranty

EXPRESS WARRANTIES

Thermal Engineering Corporation (TEC) warrants this Side-burner to be free of defects in material and workmanship when subjected to normal domestic use and service from the date of purchase as follows:

LIFETIME

All stainless steel components other than cooking grates are warranted indefinitely.

TEN (10) YEARS

All components not covered by the lifetime warranty above are warranted for ten years.

UNDER THIS WARRANTY

We will, at our option, repair or replace any component part deemed by TEC to be defective when returned to the TEC factory, freight prepaid, within the warranty period. Prior to authorization of repair or replacement, you must supply the date of original purchase and serial number of your Side-burner.

This warranty excludes damage caused by failure to follow the instructions in your Owner's Manual or alteration of the Side-burner's structure or components, or from operator abuse, negligence or accident.

DISCLAIMER OF IMPLIED WARRANTIES

This warranty excludes incidental and consequential damages. Except as stated above, all other warranties, including *implied warranties of merchantability and fitness for a particular purpose*, are excluded.

If you have questions concerning this warranty, please call your local authorized TEC dealer or call us at 1-800-331-0097.

THERMAL ENGINEERING CORPORATION

P.O. Box 868, Columbia, South Carolina 29202-0868
2741 The Boulevard, Columbia, South Carolina 29209
Telephone: (803) 783-0750 Toll free (800) 331-0097
Facsimile: (803) 783-0756 Toll free (888) 581-0286
Website: www.tecinfra-red.com



Dear TEC Side-burner Owner:

Congratulations on selecting a TEC Sterling® Side-burner. You're among a select group who truly appreciate fine cooking and demand the best. I know you'll be pleased with the Side-burner's performance. Over the years, we've invested great resources in developing a Side-burner that's truly unique — from the sturdy, long-lasting construction to the unparalleled directional flame burner.

We've put together this manual to give you an overview of your Side-burner and to help you get the most from it. We've included vital information about how to set up, operate and maintain your Side-burner safely and correctly, so I urge you to read it carefully before first using your Side-burner. If, after reviewing this information, you have any questions whatsoever, please call your Authorized TEC Dealer or our Customer Service Department for help.

If you have comments, suggestions, or even compliments, please pass them along to us. We are continually in search of ways we can improve our customers' experiences with our products, starting when they first remove them from the box and continuing as they use them over the years. Hearing what you feel we could improve, as well as what you especially like about our products and services, is essential to this effort.

Thanks for selecting TEC!

Best regards,

THERMAL ENGINEERING CORPORATION

A handwritten signature in black ink, appearing to read "W. H. Best" with a long horizontal flourish extending to the right.

W. H. "Bill" Best

Chairman and CEO

Contents

Installation	4
General Overview	
Location of Side-burner	
Installation	
Assembly	
Attachment to Sterling® Gas Grill.....	5
General Overview	
Tools Required	
Mounting	
Gas Connection.....	6
General Overview	
Gas Supply	
Gas Connection For Units Attached to Sterling® Grills Using LP Cylinder	
Gas Leak Test	
Quick Disconnect Instructions	
Operation	8
General Overview	
Burner Ignition	
Burner Ignition Without Sparker	
Extinguishing Burner Flame	
Burner Low Heat Adjustment	
Hazardous Locations and Conditions	
Maintenance and Cleaning.....	10
General Overview	
Cleaning	
Maintenance	
TEC Replacement Parts.....	10
Appendix -Build-in Specifications.....	11
For Use With A TEC Insulated Sleeve Only	
For Use With Appliance Only (No Insulated Sleeve	
Notes.....	13

Installation

General Overview

This appliance needs only minimal assembly, however, all instructions must be followed carefully to insure proper installation. Proper installation is essential to insuring safe and trouble-free operation. Any alterations made to the appliance without prior written consent from Thermal Engineering Corporation will void the product's warranty.

In the U.S., installation of this appliance must conform to local codes or, in the absence of local codes, the National Fuel Gas Code Z223.1 / NFPA 54 (latest edition).

In Canada, installation of this product should be in accordance with the CAN/CGA-B149.1 Natural Gas and Propane Installation Code.

Location of Side-burner

WARNING: THIS APPLIANCE SHOULD NOT BE LOCATED CLOSER THAN 12 INCHES TO ANY COMBUSTIBLE SURFACE OR UNDER ANY OVERHEAD COMBUSTIBLE CONSTRUCTION.

WARNING: THE APPLIANCE IS DESIGN-CERTIFIED FOR USE OUTDOORS ONLY AND NOT INTENDED FOR PORTABLE USE OR USE ON RECREATIONAL VEHICLES AND/OR BOATS.

When considering stationary locations for your appliance, keep these important factors in mind. The Side-burner must be located outdoors only. As with any gas appliance, harmful carbon monoxide gas is produced during the combustion process that should not be allowed to accumulate in a confined space. Also, since hot air rises above the Side-burner while in operation, covered locations should be avoided. Do not locate the Side-burner where an overhang or awning may cover it.

Minimum clearances must be maintained when operating this appliance. Refer to Table A.1 for clearance specification on combustible and non-combustible installations. The determination of whether an installation is combustible or non-combustible construction is made by the local fire marshal, building inspector or the local safety authority having jurisdiction.

Installation Continued

Installation

The Sterling® Side-burner is designed to be installed in a patio fixture such as a free-standing masonry or other suitable construction. Reference specifications for installing the appliance may be found in the Appendix of this manual. The Sterling® Side-burner is also designed to be attached to SSG-40LSB, SSG-40NSB, SSG-60LSB or SSG-60NSB model Sterling® Gas Grills. Installation instructions to mount the Sterling® Side-burner on a Sterling® Gas Grill can be found in the ATTACHMENT TO STERLING® GAS GRILL SECTION.

The appliance ventilation louvers must remain clean and clear of debris to avoid any obstruction to the flow of combustion and ventilation air. Reference Table A.1 for clearance specifications.

	COMBUSTIBLE CONSTRUCTION	NON-COMBUSTIBLE CONSTRUCTION
Sides	12"	0"
Back	12"	0"

Table A.1 Clearance Specifications

See the section labeled HAZARDOUS LOCATIONS AND CONDITIONS for further information you need to assure safe location and operation of the Side-burner.

Assembly

Once the Side-burner is installed, simply place the Heat Shield and Cooking Grate in place as illustrated in Figure 1 below:

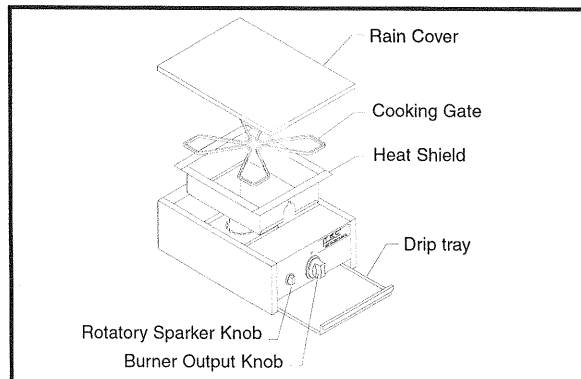


Figure 1. Side-burner Assembly

Attachment to Sterling® Gas Grill

General Overview

Sterling® Gas Grills and Sterling® Side-burners are designed for ease of assembly. The Sterling® Side-burner is approved to be attached to SSG-40LSB, SSG-40NSB, SSG-60LSB, SSG-60NSB Model Sterling® Gas Grills. The Sterling® Side-burner mounts on the right side of the Sterling® Gas Grill. Assembly procedures for attachment of the Sterling® Side-burner follow.

Tools Required

- Ratchet with 7/16" socket or 7/16" end wrench

Mounting

1. Remove the Side-shelf from the right side of the Gas Grill (if installed).
2. Remove the Rain Cover, Cooking Grate and the Drop-in Heat Shield from the Side-burner.
3. Use the four (4) 1/4 - 20 x 1/2" L slotted hex washer head screws to attach the Side-burner to the Grill. Thread two (2) screws approximately 1/4" into the two (2) top threaded inserts.
4. Using the keyholes on the left side of the Side-burner, place the Side-burner on the 1/4" screws. Ensure the screw slides to the top of the keyhole slot.
5. Tighten the two (2) top screws until the side panel of the Side-burner is flush against the Sterling® Gas Grill side panel.
6. Connect the two (2) screws into the bottom two (2) threaded inserts through the side of the Side-burner and into the side panel of the Gas Grill. (See Figure 2.)
7. Tighten all four (4) screws firmly.

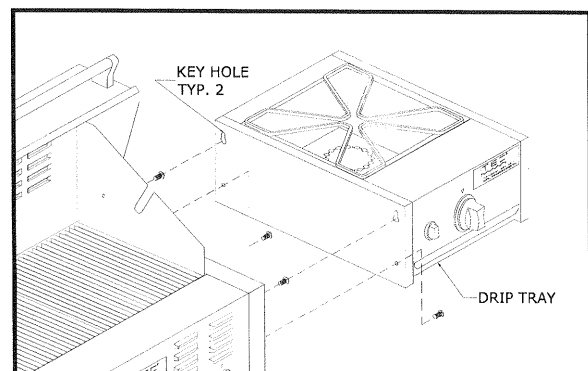


Figure 2. Side-burner Mounted

Gas Connection

General Overview

WARNING: WHEN PURCHASED FOR USE WITH LP GAS, THE SIDE-BURNER COMES WITH A REGULATOR ASSEMBLY THAT USES A MARSHALL BRASS GAS COUPLING DEVICE. THIS QUICK-CONNECT TYPE DEVICE SHOULD ONLY BE USED WITH A SHERWOOD TANK VALVE, PART #PV-3349.

WARNING: THE GAS SUPPLY HOSE SHOULD BE INSPECTED PRIOR TO EACH USE. DO NOT USE A GAS HOSE THAT HAS ABRASION, CUTS OR EXCESSIVE WEAR. IF ABRASION, CUTS OR EXCESSIVE WEAR IS EVIDENT, THE GAS SUPPLY HOSE MUST BE REPLACED BEFORE USE. REPLACEMENT ASSEMBLY MUST BE SPECIFIED BY TEC.

WARNING: WHEN YOUR GRILL IS STORED INDOORS, REMOVE AND STORE THE LP GAS CYLINDER OUTDOORS IN A PROTECTED, COOL AND DRY LOCATION OUT OF REACH OF CHILDREN. THE CYLINDER SHOULD NOT BE STORED IN A BUILDING, GARAGE OR ANY OTHER ENCLOSED AREA.

Follow the procedures outlined in this section closely to ensure safe and proper grill operation. The Side-Burner is offered in one of two gas configurations: LP or Natural gas. The pressure regulator and hose used for the LP gas configuration varies depending on the type of base used. Grills that do not use LP gas with standard 20 lb. LP cylinder must be installed by qualified personnel. This includes all Natural gas and permanently installed units. Gas regulators specified by TEC should be used at all times. For gas supply specifications refer to Table A.2 or see rating plate located on the back of the grill housing.

LP Gas Cylinder Safety

NOTICE: AN LP GAS CYLINDER IS NOT PROVIDED FROM THE FACTORY WITH THIS GRILL. HOWEVER, ONLY APPROVED 20 LB. LP GAS CYLINDERS CONSTRUCTED AND MARKED IN ACCORDANCE WITH THE *SPECIFICATIONS FOR LP GAS CYLINDERS OF THE U.S. DEPARTMENT OF TRANSPORTATION (D.O.T) OR NATIONAL STANDARD OF CANADA, CAN/CGA-B339, CYLINDERS, SPHERES AND TUBES FOR THE TRANSPORTATION OF DANGEROUS GOODS; AND COMMISSION*, SHOULD BE USED. ALL APPROVED CYLINDERS MUST HAVE AN INTEGRAL COLLAR DESIGN TO PROTECT THE CYLINDER VALVE FROM

DAMAGE. DO NOT USE OR TRY TO REPAIR A DAMAGED LP GAS CYLINDER AT ANY TIME. CONTACT YOUR LOCAL LP GAS SUPPLIER FOR REPLACEMENT. ALSO, YOU SHOULD ALWAYS OBSERVE THE FOLLOWING PRECAUTIONS:

- Store any spare or extra gas cylinders at least 15 feet from this grill or other open flame, heat-producing appliance or heat source.
- Do not fill your gas cylinder beyond $\frac{3}{4}$ full.
- Gas cylinders come with a pressure relief valve. If a cylinder is subjected to excess heat, the relief valve will open and let highly flammable gas vapor and/or liquid escape. Therefore, do not store gas cylinders near an open flame or source of heat. Store cylinders only in well ventilated areas. Failure to follow these precautions could result in a fire causing death or serious injury or property damage.

WARNING: KEEP THE VENTILATION OPENINGS OF THE CYLINDER ENCLOSURE FREE AND CLEAR OF DEBRIS.

Gas Connection continued

Gas supply specifications are listed in Table A.2 and on the rating plate located on the inside rear panel of the Sterling® Side-burner.

Table A.2 Gas Supply Specifications

	NAT	LP
Supply Pressure (in WC, max/min)	7.0/7.0	11.0/11.0
Operating Pressure (in. WC)	7.0	11.0
Main Burner Orifice Size (DMS/ DIA)	53 (0.0595")	57 (0.0430")
Burner Output (Btu/hr)	14,000	

Gas Supply

FOR UNITS INSTALLED IN FIXED LOCATIONS SUCH AS MASONRY OR A FIXED FUEL LOCATION.

CAUTION: GAS PIPING TO THIS APPLIANCE MUST BE IN ACCORDANCE WITH LOCAL CODES. IN THE ABSENCE OF LOCAL CODES, USE THE NATIONAL FUEL GAS CODE Z223.1 / NFPA 54 OR CAN/CGA-B149.1 NATURAL GAS AND PROPANE INSTALLATION CODE. REPLACEMENT ASSEMBLIES MUST BE SPECIFIED BY TEC.

NOTICE: TEC RECOMMENDS THAT A FIRE EXTINGUISHER FOR CLASS A, B, C AND D FIRES BE READILY AVAILABLE AT ALL TIMES.

CAUTION: THE GAS SHUT-OFF VALVE MUST BE TURNED OFF WHEN THE APPLIANCE IS NOT IN USE.

Your Sterling® Side-burner was built at the factory for use with natural or LP gas fuel, as ordered. Attempts to alter the Side-burner from its specified fuel type should not be made without first consulting TEC Customer Service. The rating plate, located on the inside back body panel, specifies the fuel type.

The gas supply piping to your Side-burner should be installed by your local gas company. A CSA approved shut-off valve is required to be installed in the gas supply line at the appliance, reference Figure 3 for the arrangement.

THIS VALVE IS USED TO ISOLATE THE APPLIANCE FROM POTENTIAL DAMAGE SUCH AS THAT CAUSED BY PRESSURE SURGES IN THE GAS LINE WHEN THE

GRILL IS NOT IN USE.

The Side-burner and its shut-off valve must be disconnected from the gas supply piping system during any pressure testing of the system at test pressures in excess of 1/2 PSIG (3.5 Kpa). The appliance must also be isolated from the gas supply piping system by closing its shut-off valve during any pressure testing of the gas supply piping system at test pressures equal to or less than 1/2 PSIG (3.5 Kpa).

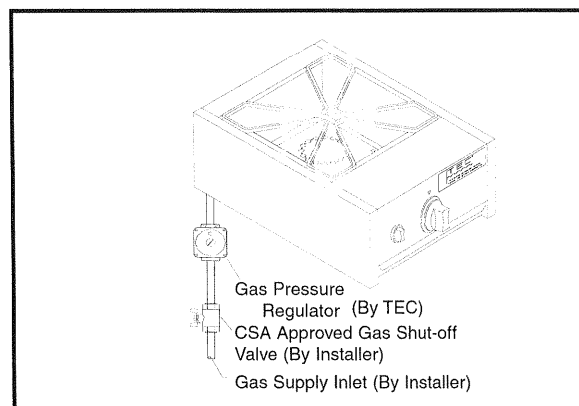


Figure 3. Gas Supply

Gas Connection

FOR UNITS ATTACHED TO A STERLING® GAS GRILL USING LP CYLINDER.

1. Disconnect the female quick disconnect on the regulator hose assembly attached to the Sterling® Grill (if installed).
2. Notice that the Side-burner is shipped with a short flexible hose with an integral tee assembly.
3. Attach the female quick disconnect end of the flexible hose assembly to the male quick disconnect end extending out of the Gas Grill housing.
4. Connect the female quick disconnect end of the regulator hose assembly to the male quick disconnect end of the integral hose and tee assembly. (see Figure 4.)
5. Refer to the appropriate owner's manual for operating procedures.

Gas Connection continued

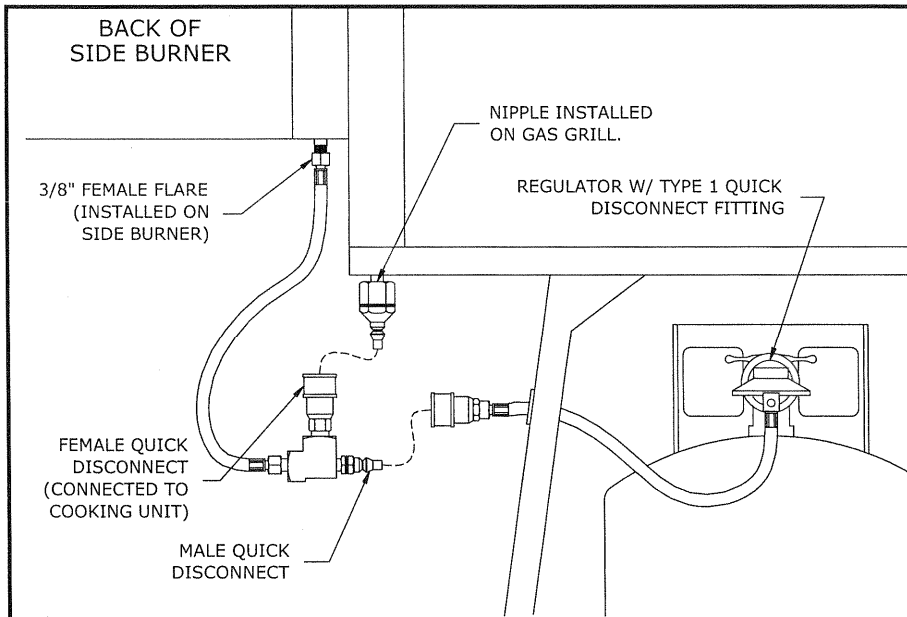


Figure 4. Gas Connection

Gas Leak Test

WARNING: DO NOT USE OPEN FLAME TO PERFORM LEAK TEST.

Open flame should not be used in the area around the Side-burner during this test. The procedure should be carried out each time the gas connection is disconnected.

Procedure:

1. Insure that the Burner Output Knob is in the OFF position. (See Figure 6.)
2. Open the appliance's supply line gas shut-off valve slowly. Apply heavy soapy water or similar solution to all connections including those made at the factory.
3. Inspect all connections for presence of bubbles. If bubbles appear, close shut-off valve and tighten connections. Repeat steps 1 and 2 above until bubbles cease.

Quick Disconnect Instructions

(See Figure 5.)

Procedure

1. To connect, push back sleeve of socket. (Figure A.)
2. Insert plug (Figure B.), release sleeve.
3. Push plug until sleeve snaps forward locking plug in socket (Figure C.), (THIS AUTOMATICALLY TURNS ON GAS).
4. To disconnect, push sleeve back and pull out plug. (THIS AUTOMATICALLY SHUTS OFF GAS).

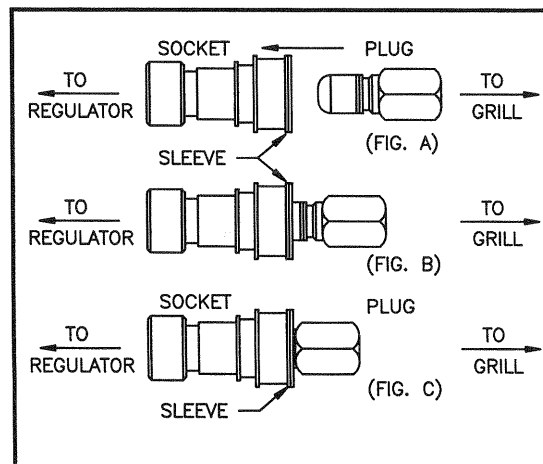


Figure 5. Quick Disconnect Fittings

Operation

General Overview

WARNING: NEVER ATTEMPT TO USE THIS OR ANY OTHER GAS APPLIANCE WHEN YOU SMELL GAS.

CAUTION: THE HEAT SHIELD SHOULD BE IN PLACE AT ALL TIMES DURING BURNER OPERATION.

NOTICE: YOU SHOULD INSPECT THE BURNER VENTURI TUBES FOR SPIDER WEBS AND OTHER OBSTRUCTIONS PERIODICALLY. CLEAN TUBES COMPLETELY IF YOU FIND ANYTHING. A CLOGGED TUBE CAN LEAD TO A FIRE BENEATH THE GRILL.

Burner Ignition

Procedure:

Please read instructions before lighting.

1. Remove rain cover and any cookware during lighting.
2. Insure Burner Output Knob is in the OFF position. (see Figure 6.)
3. Insure supply line gas shut-off valve is open.
4. Depress and rotate Burner Output Knob to high flame setting.
5. Rotate Rotary Spark Knob clockwise while checking for a burner flame.
6. If a flame is not present within 5 seconds, turn Burner Output Knob to OFF position and wait 5 minutes. Then repeat steps 3 through 6 until ignition occurs.
7. Rotate Burner Output Knob to desired cooking level.

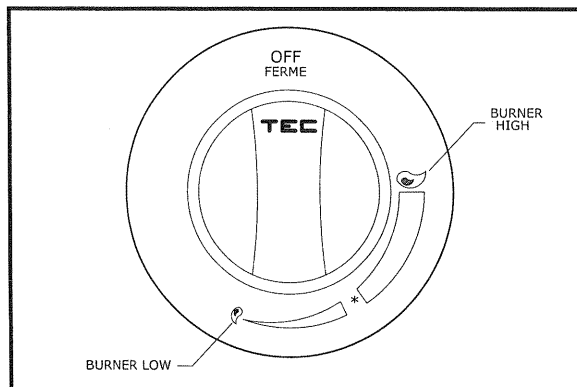


Figure 6. Burner Output Knob

Burner Ignition Without Sparker

Procedure

Please read instructions before lighting.

1. Remove rain cover and any cookware. Open lid during lighting.
2. If ignition does not immediately take place, turn Burner Valve Knob to OFF and wait 5 minutes. Then repeat the lighting procedure.
3. Insure all valves are closed.
4. Open gas valve in the main line.
5. Ignite a match and carefully place the match between your index and middle finger.
6. Carefully place your fingers through the Cooking Grate and hold the match near a burner port.
7. Depress and rotate the Burner Control Knob to ON. Check for a burner flame. If a flame is not present within 5 seconds, turn the Burner Output Knob to OFF and wait 5 minutes. Then repeat the lighting procedure.

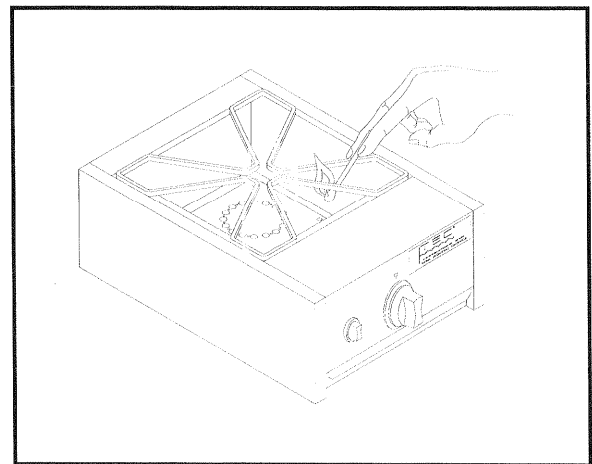


Figure 7. Manual Lighting

Operation continued

Extinguishing Burner Flame

Procedure

1. Depress and rotate Burner Output Knob to OFF.
2. Close main valve from the gas supply.

Burner Flame

The Burner flame should be approximately 1 inch to 1½ inches high when the Burner Output Knob is on the Burner HIGH position. (see Figure 8.) The burner flame should be approximately ½ inches high when the Burner Output Knob is in the Burner LOW position. See section labeled BURNER LOW HEAT ADJUSTMENT for instructions on relevant adjustment.

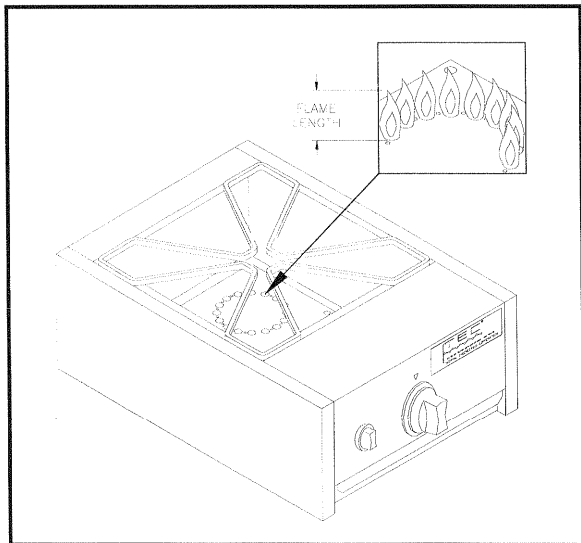


Figure 8. Burner Flame

Burner Low Heat Adjustment

NOTICE: THE LOW HEAT POSITION OF THE FLAME MUST BE STABLE AND SHOULD NOT WAIVER ON THE BURNER SURFACE. NEVER ADJUST THE BURNER SO LOW THAT IT MAY GO OUT DURING USE.

The Burner's Low Heat Output is preset at the factory. If it should be necessary to adjust this setting due to a particular cooking style or different environmental conditions, follow the instructions below.

The Low Heat Adjustment Screw only affects burner operation at the LOW setting. Any efforts to make adjustments at another setting will have no effect until the burner is turned to LOW, where the burner may involuntarily extinguish while gas is still flowing. This condition is unsafe, therefore adjustments should ONLY be made with the Burner Output Knob at the Burner LOW setting while visually monitoring changes. (see Figure 9.)

Procedure:

1. Follow Burner Ignition procedures and operate Side-burner for approximately 5 minutes.
2. Turn the Burner Output Knob to the Burner Low position and wait until the flame stabilizes.
3. Remove Burner Output Knob from valve stem.
4. Insert small blade type screwdriver into valve stem to engage recessed Low Heat Adjustment Screw. Turn clockwise to reduce low heat intensity or turn counter-clockwise to increase low heat intensity. This adjustment affects the flame at the LOW setting only.

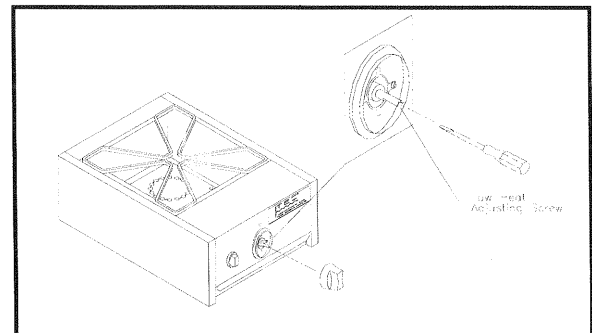


Figure 9. Low Heat Adjustment

Operations Continued

Hazardous Locations and Conditions

- Do not use your Side-burner closer than 12 inches to any combustible surface (wood wall or wooden fences, etc.). Do not use this appliance under overhead combustible surfaces.
- Do not obstruct the flow of combustion and ventilation air.
- This appliance should only be used outdoors in a well-ventilated space and must not be used in a building, garage, or any other enclosed area.
- Keep all flammable substances away from this appliance. These include aerosols and aerosol containers, gasoline and similar liquids, paper and paper products, and containers of grease, paint, etc.
- Avoid wearing flammable and/or loose clothing such as neckties, scarves, etc., while using the Side-burner.

Maintenance and Cleaning

General Overview

CAUTION: ALWAYS ALLOW SIDE-BURNER TO COOL SUFFICIENTLY BEFORE CLEANING.

Good maintenance and clean up will help insure the long life of your Side-burner. Periodic cleaning will help avoid accumulations of flammable grease and other debris.

Cleaning

The Drip Tray may require cleaning with soap and water. After removing the Heat Shield, clean it with soap and water.

Maintenance

Burner

The Sterling® Side-burner requires very little maintenance. However, **orifice openings and venturi inlets should be periodically inspected and cleared of any insects, insect nests or other debris. Clogged openings can lead to a fire beneath the appliance.**

Burner Location

WARNING: THE GAS ORIFICE MUST BE PROPERLY LOCATED ON THE ORIFICE BRACKET, ATTACHED TO THE VENTURI ON THE BURNER ASSEMBLY. IMPROPERLY LOCATED ORIFICE CAN LEAD TO BODILY DAMAGE AND PROPERTY DAMAGE. THE PROPER LOCATION OF THE ORIFICE IS SHOWN IN FIGURE 10 BELOW.

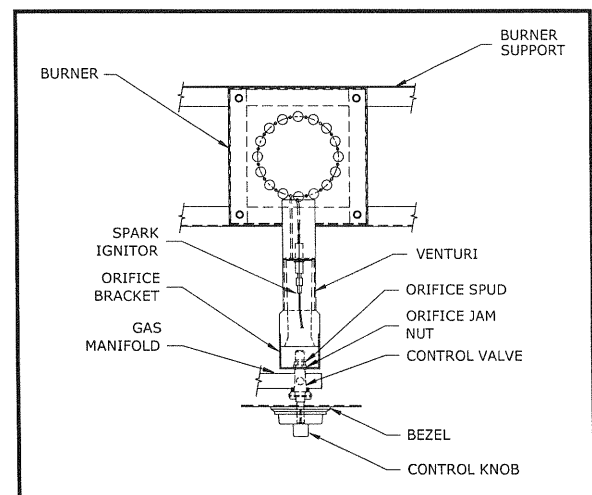


Figure 10. Orifice Location

TEC Replacement Parts

Contact your Authorized TEC Dealer regarding information on replacement parts and accessories. Following is a listing of replacement parts and accessories.

Part No.	Description
-----------------	--------------------

FM1070	Burner Assembly (Complete without Electrode)
FM1064	Burner Top
FM1063	Cooking Grate
FM1059	Drip Tray
HW0255	Gas Manifold (with valve)
HW0221	Gas Valve, Burner
FM1059	Heat Shield
HW0252	Igniter, Electrode
HW0230	Igniter, Rotary
HW0253	Igniter, Wire
HW0806	Knob, Burner
HW0809	Knob, Igniter
HW020257	Orifice, LP Gas (#57)
HW020253	Orifice, Natural Gas (#53)
HW0259	Quick Disconnect Hose and Tee Assembly
FM1058	Rain Cover
HW0237	Regulator, LP Gas (Built-in application 11.0" wc)
HW0251	Regulator, Natural Gas (7.0" wc)

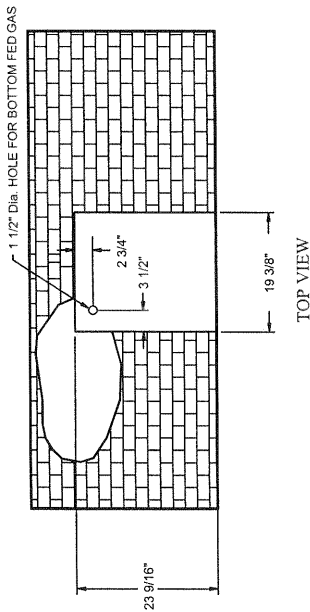
Notes

Appendix - Side-burner Build-in Specifications

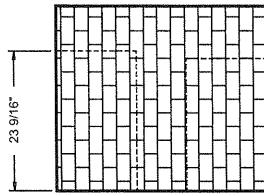
FOR USE WITH A TEC INSULATED SLEEVE ONLY

NOTES:

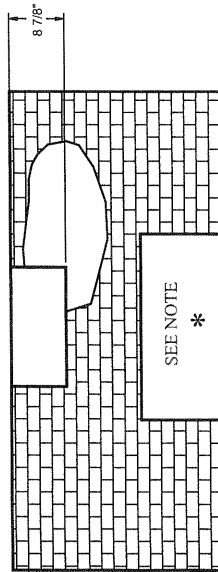
- * SPACE MUST BE LEFT BELOW UNIT TO RUN AND STORE GAS LINE AND SHUT-OFF VALVE.
- TEC RECOMMENDS THAT THE INSULATED SLEEVE BE ON SITE PRIOR TO CONSTRUCTION OF FIXTURE.
- USING THESE DIMENSIONS THERE SHOULD BE AN APPROXIMATE TRIM OVERHANG OF 7/16" ON ALL SIDES.
- ALL UNITS SHOULD BE SEALED BETWEEN THE GRILL AND THE INSULATED SLEEVE (6 SIDES) WITH CLEAR OR GRAY SILICONE CAULK (350° F MAX. TEMPERATURE)
- IF SHIMS ARE REQUIRED TO SQUARE THE UNIT UP, PLACE THE SHIMS BETWEEN THE SPACER CHANNEL LOCATED ON THE SIDES OF THE INSULATED SLEEVE AND THE WALLS OF THE BUILD-IN STRUCTURE.



TOP VIEW



SIDE VIEW



FRONT VIEW

THIS APPLIANCE IS NOT INTENDED FOR USE ON RECREATIONAL VEHICLES AND/OR BOATS.

REV.	DATE	DESCRIPTION	BY

TEC THERMAL ENGINEERING CORP. INFRA-RED COLUMBIA, SOUTH CAROLINA		CUSTOMER P.O.
CUSTOMER	TEC	COLUMBIA, SC.
DESCRIPTION	MASONRY FIXTURE, SSG-15	
DRAWN BY	JC	
CHECKED BY	RT	
DATE	05/21/98	
SCALE	SSG-15-3	
ENGINEER	JC	
	NONE	
DRAWING NUMBER	SSG-15-3	
SHEET	1	

REV-06/16/99